

**61" COLUMBUS CAST IRON  
DOUBLE ROLL TOP TUB  
ON BASE**

Cat. No.  
CTDR7H61B



L: 61"  
W: 31"  
H: 24" (from floor to top of tub)  
18" (from bottom of tub to top of tub)

Water depth: 18" to top of tub  
Water depth: 13-1/2" to overflow

**The following is recommended for  
CTDR7H61 tubs:**

- Rim-mounted faucet: part #4601 or 4201
- Straight bath supplies: part #5577
- Leg tub drain: part #5599

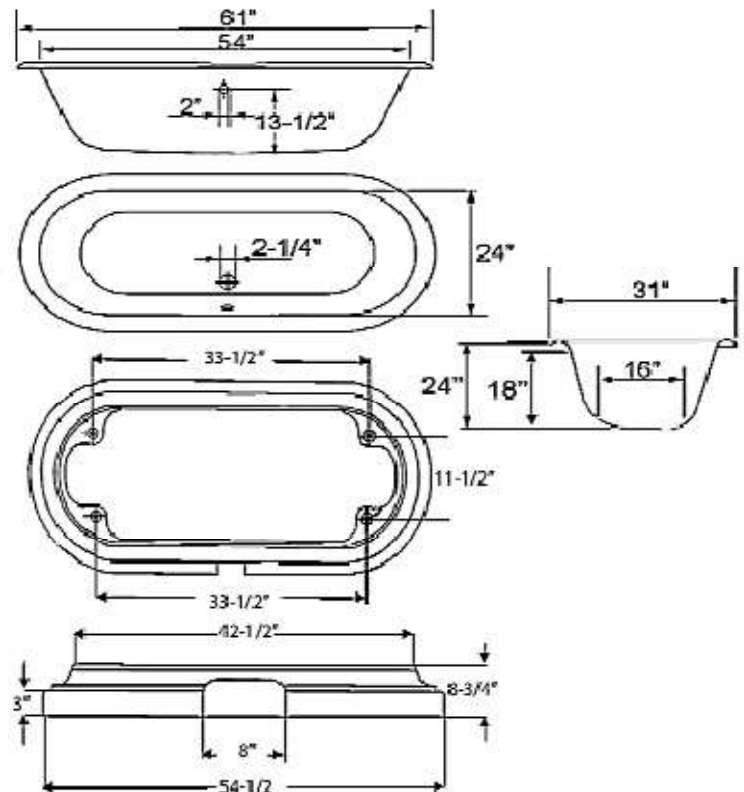
Gallon Capacity: 60  
Shipping Weight: 480 lbs.  
Empty Weight: 300 lbs.  
Filled Weight: 801 lbs.

**Features:**

- ▶ Inside finish is white enamel
- ▶ Stylish cast iron base is included
- ▶ Tub exterior is white (expoxy)
- ▶ 7" centers in tub deck
- ▶ Tub is thoroughly inspected before shipment



**Custom Colors Available** (inside of tub is always white enamel):  
Painted bathtubs are considered "special order" and are not returnable  
\$160 Bisque or Black \$250 Designer Color



Dimensions of fixture are nominal and may vary within the range of tolerances established by ANSI Standard A112.19.2. Dimensions and specifications subject to change without notice.

# TUB RIM MOUNT FILLER WITH HANDSHOWER

Cat. No.  
4601



## Features:

- ▶ Brass construction
- ▶ Elephant spout length is 5-3/4"
- ▶ Flow rate is 3.7 GPM
- ▶ Available with porcelain lever (**4601- PL**) or metal cross lever handles (**4601-MC**)
- ▶ Telephone handshower with cradle and hose
- ▶ Handshower flow rate 2.5 GPM
- ▶ Handshower includes backflow preventer
- ▶ 6" Elbow mounts included
- ▶ IAPMO approved
- ▶ 7" Centers for deck mounting on acrylic or cast iron tubs
- ▶ 1/4 Turn ceramic disc cartridges
- ▶ To be used with straight bath supplies, **Part #5577**

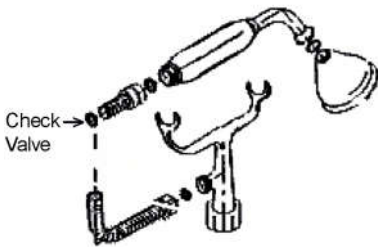
## Finishes:

**BP** Polished Brass  
**CP** Polished Chrome  
**SN** Brushed Nickel

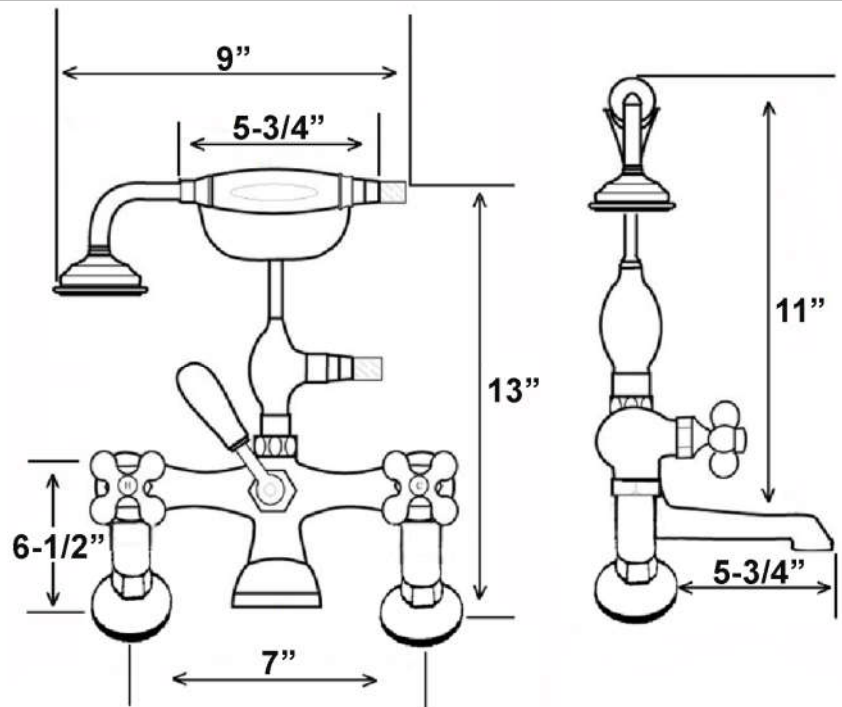
**PN** Polished Nickel  
**ORB** Oil Rubbed Bronze



6" Elbow Mounts



Check  
Valve



Dimensions are nominal and may vary. Dimensions and specifications subject to change without notice.

# STRAIGHT BATH SUPPLIES

Cat.No.

5577



H: 24"

OD: 1/2"

### Interior Dimensions:

Basin Interior: 13" x 11 7/8"

Basin Depth: 7 1/2"

Mount bolts height: 30"

Mount holes cc: 6"

Spout hole: 1 3/8"

### Features:

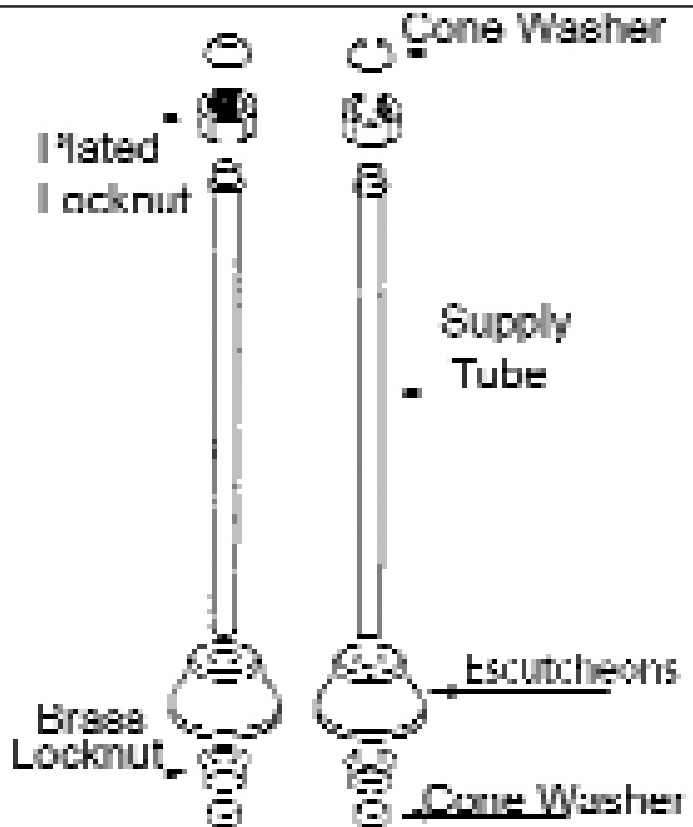
- ▶ For use with faucets mounted to the tub deck
- ▶ No stops
- ▶ 1/2" Compression inlet
- ▶ 3/4" Compression outlet
- ▶ Bottom flange 2-1/2" diameter
- ▶ 0.500" Outer diameter
- ▶ 0.400" Inner diameter
- ▶ 0.030" Thickness of the wall
- ▶ Available in 5 Finishes

### Compliance Certification

Meets or exceeds the following specifications: ASME-A112 (and 19.6M) for Vitreous china fixtures. ASME 112.19.9M for fire clay fixtures.

### Finishes:

- CP Polished Chrome
- SN Brushed Nickel
- BP Polished Brass
- ORB Oil Rubbed Bronze
- PN Polished Nickel



**Use on concrete floors requires special installation. We recommend using a plumbing professional.**

Dimensions and specifications subject to change without notice.

# LEG TUB DRAIN

Cat. No.  
5599



Escutcheon Height: 1-1/4"

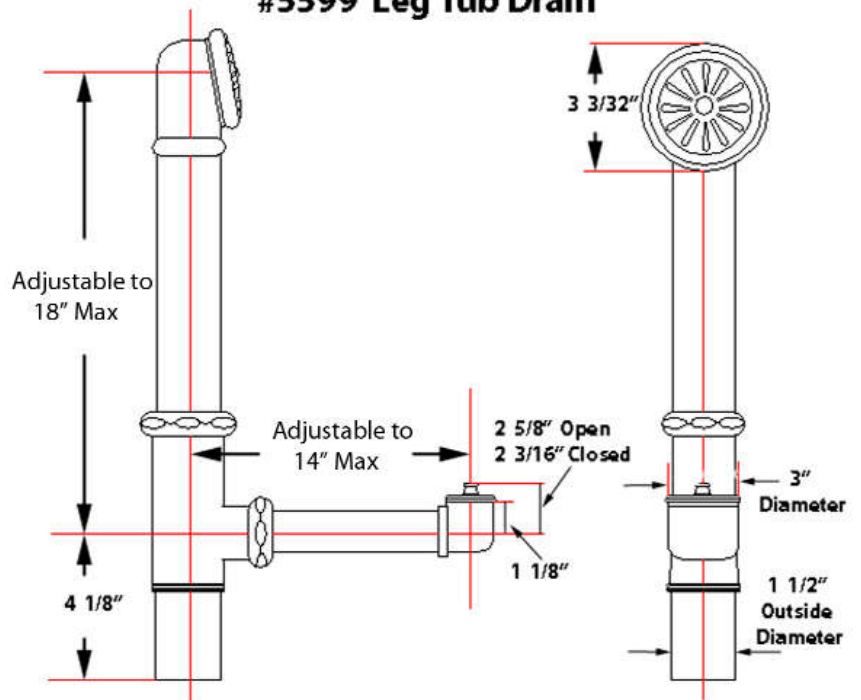
## Features:

- ▶ Twist-and-lift stopper
- ▶ Includes deep escutcheon
- ▶ Height adjustable 15"-18"
- ▶ Depth adjustable 12"-14"
- ▶ Includes deep escutcheon
- ▶ IAPMO approved
- ▶ Available in 5 Finishes

## Finishes:

- CP** Polished Chrome
- BP** Polished Brass
- SN** Brushed Nickel
- PN** Polished Nickel
- ORB** Oil Rubbed Bronze

## #5599 Leg Tub Drain



Dimensions and specifications subject to change without notice.